



TITAN SERIES



FULL.METAL.PROTECTION.

Secure and protect high-end phones, tablets, and wearables with a stand-alone security solution designed to offer an untethered customer experience. Each TITAN model is made of hardened steel brackets to fully lockdown the merchandise.



Slim Arm Bracket

TITAN Slim Brackets are made of a high-grade metal with an all new low-profile design to showcase your high-end devices.

The TITAN Slim Arm Bracket is adjustable to fit most phone sizes.

TITAN Watch

The TITAN can also secure high-end watches with the interchangeable TITAN Wearable Bracket.

These brackets are custom-fitted for a variety of watch faces and can alternate between our family of TITAN products.



TITAN Keylock

TITAN Keylock offers the same level of high security with interchangeable keys and lock cores for swift field changes and convenient nighttime storage.

The TITAN Keylock is compatible with all TITAN brackets and mounting hardware.



QUICK DISCONNECT

Effortlessly remove device in seconds.

TURN IT



DISCONNECT IT



SECURE IT



RECONNECT
WITHOUT TOOLS

Pedestals & Colors

Vertical Display



White

Angled Display



Black

*Black and white options for both vertical & angled displays.

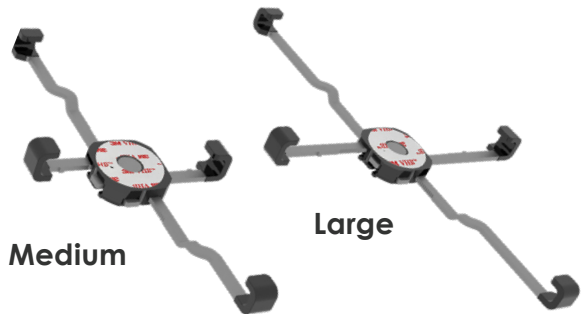
Bracket Options



Slim Arm Bracket



Wearable Bracket

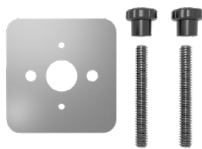


Medium

Large

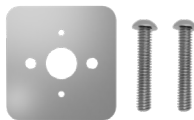
Mounting Kits

Standard
K-1112



Fixture Depth Compatibility Range:
1.25" (31.75 mm) and thinner

Security
K-1113



Fixture Hole Compatibility Range:
1.60" (40.6 mm) - 2.5" (63.5 mm)*

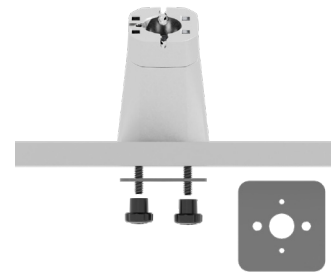
*Adapter plate kit available for holes less than 1.60"

Single Hole
K-1131



Fixture Hole Compatibility Range:
1.375" (34.92 5mm) - 1.60" (40.64 mm)*

*Single hole may be used on smaller holes down to
0.75" (19.05 mm) by removing the adhesive center.



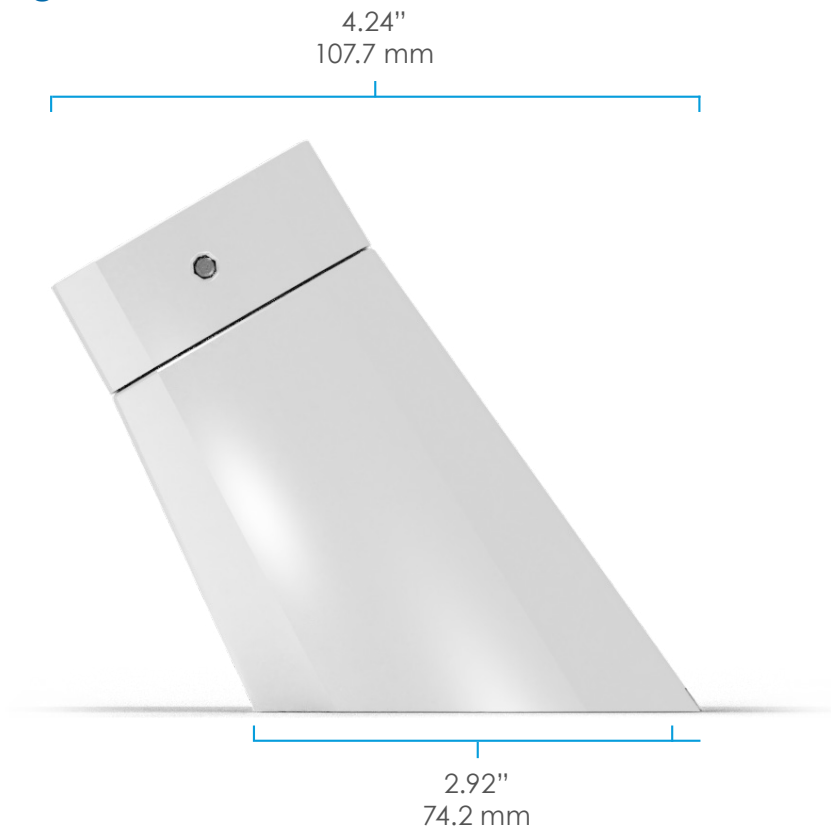
Front



Back



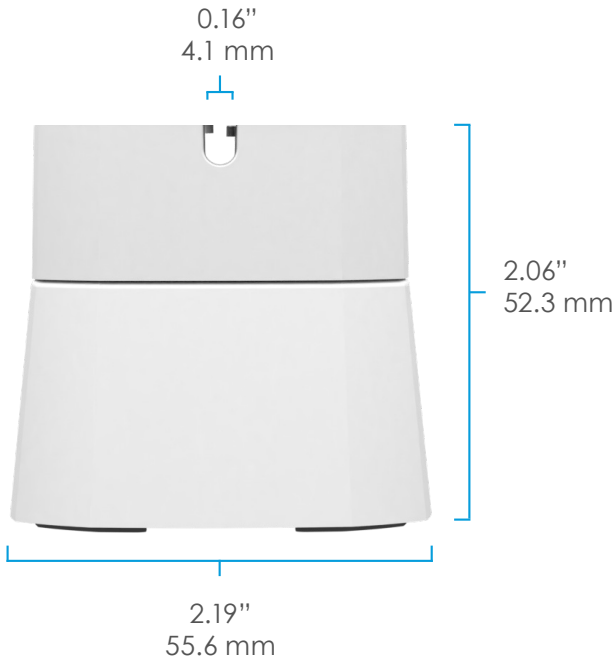
Right



Bottom



Front



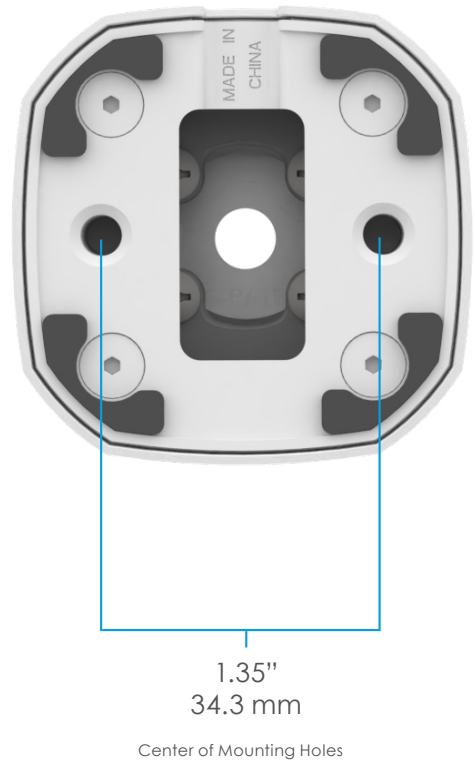
Back



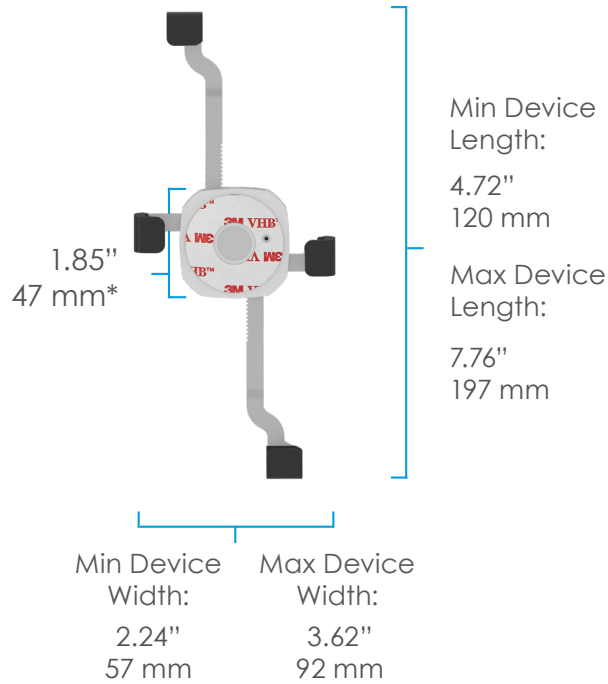
Right



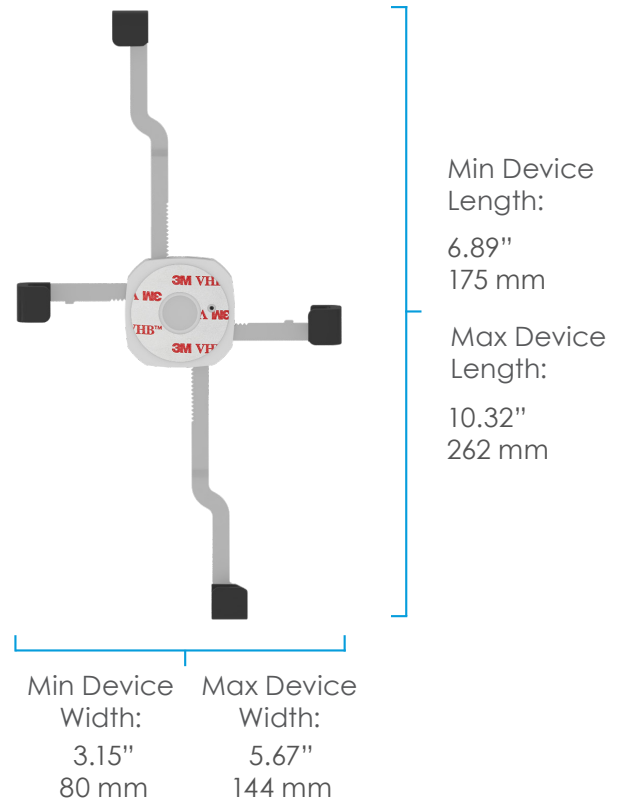
Bottom



Small

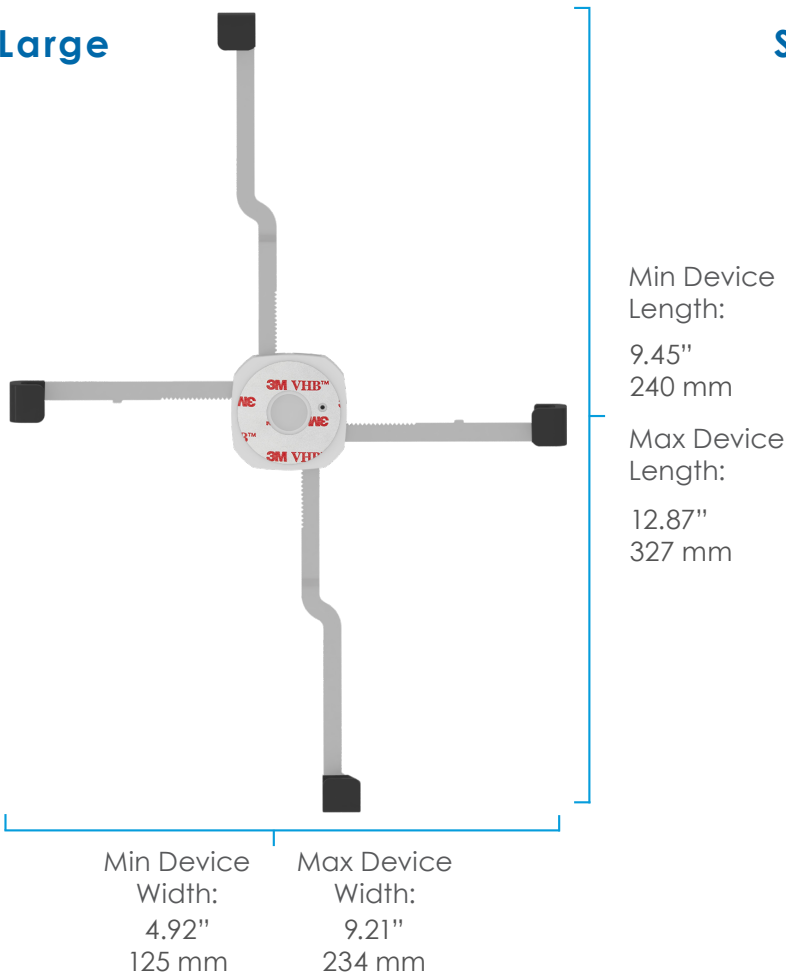


Medium

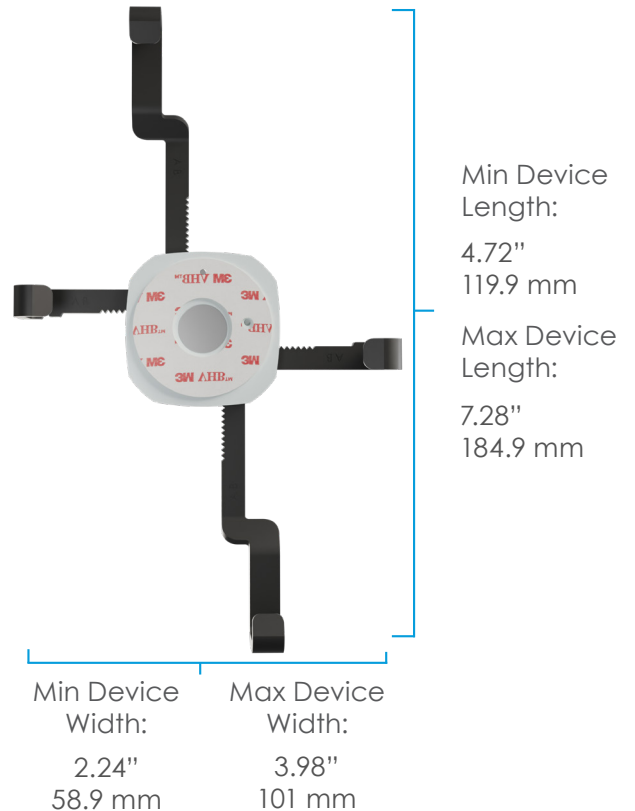


*Bracket hub is the same size for all versions.

Large



Slim Arm Bracket



TITAN SERIES | PARTS LIST

Part Number	Description
Finished Kits: Kit contains pedestal, bracket, mounting plate, threaded screws, & thumb nuts	
K-TTN-01-AW	Titan Kit with Small Bracket All-Thread
K-TTNM-01-AW	Titan Kit with Medium Bracket All-Thread
K-TTNL-01-AW	Titan Kit with Large Bracket All-Thread
K-TTN-01-HW	Titan Kit with Small Bracket All-Thread Hole Mount Adapter
K-TTNM-01-HW	Titan Kit with Medium Bracket All-Thread Hole Mount Adapter
K-TTNL-01-HW	Titan Kit with Large Bracket All-Thread Hole Mount Adapter
K-TTN-03-AW	Titan Tri-Lobe Kit with Small Bracket and All-Thread
K-TTNM-03-AW	Titan Tri-Lobe Kit with Medium Bracket and All-Thread
K-TTNL-03-AW	Titan Tri-Lobe Kit with Large Bracket and All-Thread
K-TTN-03-BW	Titan Tri-Lobe Kit with Small Bracket 1.5in Security Screw Mnt
K-TTNM-03-BW	Titan Tri-Lobe Kit with Medium Bracket 1.5in Security Screw Mnt
K-TTNL-03-BW	Titan Tri-Lobe Kit with Large Bracket 1.5in Security Screw Mnt
K-TTN-03-HW	Titan Tri-Lobe Kit with Small Bracket All-Thread Hole Mount Adapter
K-TTNM-03-HW	Titan Tri-Lobe Kit with Medium Bracket All-Thread Hole Mount Adapter
K-TTNL-03-HW	Titan Tri-Lobe Kit with Large Bracket All-Thread Hole Mount Adapter
K-TTNV-01-AW	Titan Vert Kit with Small Bracket All-Thread Mount
K-TTNVM-01-AW	Titan Vert Kit with Medium Bracket All-Thread Mount
K-TTNVL-01-AW	Titan Vert Kit with Large Bracket All-Thread Mount

Part Number	Description
K-TTNKL-01-AW	Titan Keylock Kit with All-Thread Mount
K-TTNV-03-AW	Titan Vert Tri-Lobe Kit with Small Bracket All-Thread Mount
K-TTN-01-H	Titan Small Kit Black Single Hole
K-TTN-MOTO-W	Titan Cell Kit White Motorola
K-TTN-W01S	Titan Wearable Apple S5 40mm Silver
K-TTN-W02	Titan Wearable Apple S5 44mm Black
K-TTN-W02S	Titan Wearable Apple S5 44mm Silver
K-TTNKLV-01-JW	Titan Keylock Verticle Small Kit White with Hole
K-TTNKLM-01-AW	Titan Keylock Medium Kit White with All Thread
K-TTNKLL-01-AW	Titan Keylock Large Kit White with All Thread
K-TTN-W01	Titan Watch Kit - Apple S5 40mm (Kit Includes: watch brackets and acrylic inserts)
K-TTN-W02	Titan Watch Kit - Apple S5 44mm (Kit Includes: watch brackets and acrylic inserts)
K-TTN-W03	Titan Wearable Apple S7 45mm Black
K-TTN-W04	Titan Wearable Apple S7 41mm Black
K-TTNKL-01-BW	Titan Keylock Small Kit White with 1.5in Security Screw
K-TTNKLL-01-BW	Titan Keylock Large Kit White with 1.5in Security Screw

- Color variation placeholder. Substitute in W for White.
*Products not shown to scale. Subject to change without notice.

TITAN SERIES | PARTS LIST

Part Number	Description
Watch Bracket	
VP-1687	Titan Watch Bracket Assembly
VP-1687	Titan Wearable Hub Assembly Black
VP-1687S	Titan Wearable Hub Assembly Sliver
VP-1731	Titan Watch Acrylic Insert - Apple S5 40mm
VP-1732	Titan Watch Acrylic Insert - Apple S5 44mm
VP-1789	Titan Wearable Insert Apple S7
VP-1790	Titan Wearable Insert Apple S7
Pedestal	
VP-1580#-1	Titan Angled Pedestal
VP-1589#-1	Titan Vertical Pedestal
VP-1697#-1	Titan Keylock Pedestal
VP-1697-1	Titan Keylock Pedestal Black C305
VP-1697W-1	Titan Keylock Pedestal White C305
VP-1697W-2	Titan Keylock Pedestal White C619
VP-1697W-3	Titan Keylock Pedestal White C822
VP-1697W-4	Titan Keylock Pedestal White C133
VP-1697W-5	Titan Keylock Pedestal White C345
VP-1777-1	Titan Keylock Vertical Pedestal Black C305
VP-1777W-1	Titan Keylock Vertical Pedestal White C305
Security Brackets	
VP-1581	Titan Small Bracket
VP-1582	Titan Medium Bracket
VP-1583	Titan Large Bracket
VP-1699#	Titan Slim Arm Bracket
VP-1699	Titan Slim Arm Cell Bracket Black
VP-1701	Titan Slim Arm Cell Bracket with Center
VP-1701W	Titan Slim Arm Cell Bracket with Center

Part Number	Description
Mounting	
K-1112	Titan All-Thread Mounting Kit
K-1113	Titan Security Screw Mounting Kit
K-1131	Hole Mounting Kit Adapter with All-Thread
K-1141	Titan Vertical Single Hole Adapter White
Tools and Accessories	
V-T900	Security Driver - Bracket Lock Tool
V-T30	Security Driver - Quick Disconnect Tool
V-46	V-46 POWER SUPPLY FIXED BLADE
VP-1726-1	Titan Keylock Change Key CK208
VP-1727-1	Titan Keylock Key
VP-1728-1	Titan Keylock Lock Core C305
VP-1728-2	Titan Keylock Lock Core C619
VP-1728-3	Titan Keylock Lock Core C822
VP-1728-4	Titan Keylock Lock Core C133
VP-1728-5	Titan Keylock Lock Core C345

- Color variation placeholder. Substitute in W for White.
 *Products not shown to scale. Subject to change without notice.